

Complete range on
light grooving



LIGHT
GROOVING

NEW



SINCE 1916

LIGHT GROOVING

INSERTS | Pastilhas | Plaquitas

| | | | | |
|-----------|-----------|-----------|----------|------------|
| LG | 06 | 02 | R | 110 |
| 1 | 2 | 3 | 4 | 5 |

1 - Product Line | Ligne de produits | Produktlinie

LG - Light Grooving

2 - Insert size

06 - IC=6,35mm

3 - Cutting edges

02 - 2 cutting edges

4 - Work side

R - Right
L - Left

5 - Edge width

110=1,1mm

TOOLHOLDERS | Suportes | Herramientas

| | | | | | | | |
|-----------|----------|-----------|-----------|----------|----------|------------|-----------|
| LG | H | 06 | 02 | I | R | 150 | 16 |
| 1 | 2 | 3 | 4 | 5 | 6 | 7 | 8 |

1 - Product Line

LG - Light Grooving

2 - Product type

H - Holder

3 - Insert size

06 - IC=6,35mm

4 - Cutting edges

02 - 2 Cutting edges

5 - Internal / External

I - Internal
E - External

6 - Work side

R - Right
L - Left

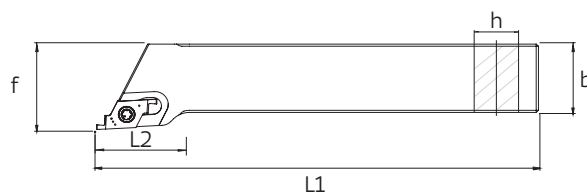
7 - Tool length

150 - 150mm

8 - Shank dimension

Internal: 16 - Ø16mm
External: 2020 - 20mm x 20mm

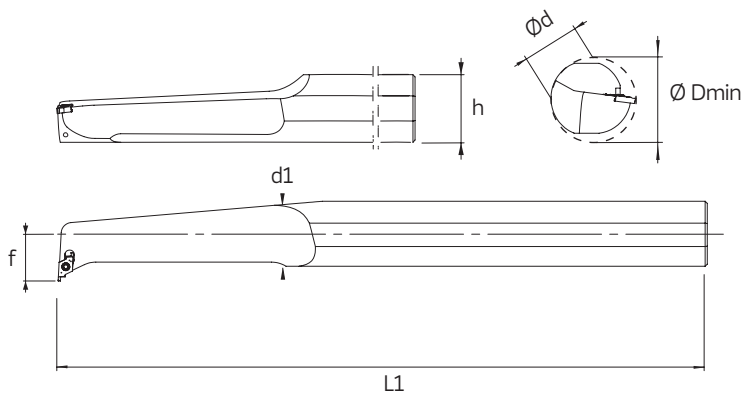
LGH-ER/L



| Order code Código | Reference Referência Referencia | Dimensions Dimensões Dimensiones (mm) | | | | | Insert | Stock |
|----------------------|---------------------------------------|---|----|-----|----|----|----------|-------|
| | | h | b1 | L1 | L2 | f | | |
| Right Toolholder | | | | | | | | |
| 183031100 | LGH 0602-ER 100 1616 | 16 | 16 | 100 | 21 | 20 | LG 0602R | ⊗ |
| 183031200 | LGH 0602-ER 125 2020 | 20 | 20 | 125 | 25 | 25 | LG 0602R | ⊗ |
| 183031300 | LGH 0602-ER 150 2525 | 25 | 25 | 150 | 32 | 32 | LG 0602R | ⊗ |
| Left Toolholder | | | | | | | | |
| 183030300 | LGH 0602-EL 100 1616 | 16 | 16 | 100 | 21 | 20 | LG 0602L | ⊗ |
| 183030400 | LGH 0602-EL 125 2020 | 20 | 20 | 125 | 25 | 25 | LG 0602L | ⊗ |
| 183030500 | LGH 0602-EL 150 2525 | 25 | 25 | 150 | 32 | 32 | LG 0602L | ⊗ |

⊗ Stock item | Produto de stock | Itens de stock ○ Available under request | Disponível sobre consulta | Disponible bajo consulta

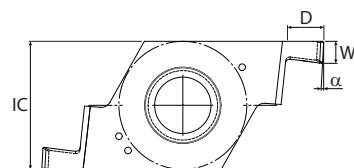
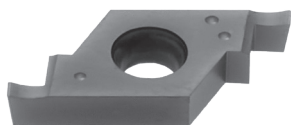
LGH-IR/L



| Order code Código | Reference Referência Referencia | Dimensions Dimensões Dimensiones (mm) | | | | | Insert | ØDmin | Stock |
|----------------------|---------------------------------------|---|----|------|-----|----|----------|-------|-------|
| | | Ød | h | d1 | L1 | f | | | |
| Right Toolholder | | | | | | | | | |
| 183031400 | LGH 0602-IR 150 12 | 12 | 11 | 11,5 | 150 | 9 | LG 0602R | 16 | ⊗ |
| 183031500 | LGH 0602-IR 150 16 | 16 | 15 | 15 | 150 | 11 | LG 0602R | 20 | ⊗ |
| 183031600 | LGH 0602-IR 170 20 | 20 | 18 | 19 | 170 | 13 | LG 0602R | 25 | ⊗ |
| 183031700 | LGH 0602-IR 200 25 | 25 | 23 | 24 | 200 | 17 | LG 0602R | 32 | ⊗ |
| 183031800 | LGH 0602-IR 300 32 | 32 | 30 | 31 | 300 | 22 | LG 0602R | 40 | ⊗ |
| Left Toolholder | | | | | | | | | |
| 183030600 | LGH 0602-IL 150 12 | 12 | 11 | 11,5 | 150 | 9 | LG 0602L | 16 | ⊗ |
| 183030700 | LGH 0602-IL 150 16 | 16 | 15 | 15 | 150 | 11 | LG 0602L | 20 | ⊗ |
| 183030800 | LGH 0602-IL 170 20 | 20 | 18 | 19 | 170 | 13 | LG 0602L | 25 | ⊗ |
| 183030900 | LGH 0602-IL 200 25 | 25 | 23 | 24 | 200 | 17 | LG 0602L | 32 | ⊗ |
| 183031000 | LGH 0602-IL 300 32 | 32 | 30 | 31 | 300 | 22 | LG 0602L | 40 | ⊗ |

⊗ Stock item | Produto de stock | Itens de stock ○ Available under request | Disponível sobre consulta | Disponible bajo consulta

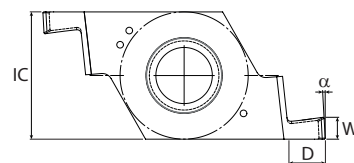
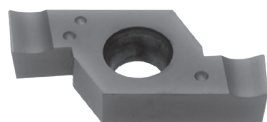
LGH-R



| Order code Código | Reference Referência Referencia | Dimensions Dimensões Dimensiones (mm) | | | | For circlip widht | Stock |
|----------------------|---------------------------------------|---|----------|------|-----|-------------------|--------|
| | | IC | α | W | D | | PH7920 |
| 1130597G4 | LG 0602R110 | 6,35 | 3 | 1,10 | 0,8 | 1,0 | ☉ |
| 1130598G4 | LG 0602R130 | 6,35 | 3 | 1,30 | 1,4 | 1,2 | ☉ |
| 1130599G4 | LG 0602R160 | 6,35 | 3 | 1,60 | 1,7 | 1,5 | ☉ |
| 1130600G4 | LG 0602R185 | 6,35 | 3 | 1,85 | 2,0 | 1,75 | ☉ |
| 1130601G4 | LG 0602R215 | 6,35 | 3 | 2,15 | 2,4 | 2,0 | ☉ |
| 1130602G4 | LG 0602R265 | 6,35 | 3 | 2,65 | 2,7 | 2,5 | ☉ |
| 1130603G4 | LG 0602R300 | 6,35 | 3 | 3,00 | 3,0 | - | ☉ |
| 1130604G4 | LG 0602R315 | 6,35 | 3 | 3,15 | 3,0 | 3,0 | ☉ |

☉ Stock item | Produto de stock | Itens de stock ○ Available under request | Disponível sobre consulta | Disponible bajo consulta

LG-L



| Order code Código | Reference Referência Referencia | Dimensions Dimensões Dimensiones (mm) | | | | For circlip widht | Stock |
|----------------------|---------------------------------------|---|----------|------|-----|-------------------|--------|
| | | IC | α | W | D | | PH7920 |
| 1130589G4 | LG 0602L110 | 6,35 | 3 | 1,10 | 0,8 | 1,0 | ☉ |
| 1130590G4 | LG 0602L130 | 6,35 | 3 | 1,30 | 1,4 | 1,2 | ☉ |
| 1130591G4 | LG 0602L160 | 6,35 | 3 | 1,60 | 1,7 | 1,5 | ☉ |
| 1130592G4 | LG 0602L185 | 6,35 | 3 | 1,85 | 2 | 1,75 | ☉ |
| 1130593G4 | LG 0602L215 | 6,35 | 3 | 2,15 | 2,4 | 2,0 | ☉ |
| 1130594G4 | LG 0602L265 | 6,35 | 3 | 2,65 | 2,7 | 2,5 | ☉ |
| 1130595G4 | LG 0602L300 | 6,35 | 3 | 3,00 | 3 | - | ☉ |
| 1130596G4 | LG 0602L315 | 6,35 | 3 | 3,15 | 3 | 3,0 | ☉ |

☉ Stock item | Produto de stock | Itens de stock ○ Available under request | Disponível sobre consulta | Disponible bajo consulta

HEADQUARTERS

PALBIT. S.A.

P.O.Box 4 - Palhal

3854-908 - Branca ALB - Portugal

T (+351) 234 540 300 | F (+351) 234 540 301

palbit@palbit.pt | www.palbit.pt

Branch office:

PALBIT México

Emerson 150. Int.803-804. Colonia Chapultepec

Morales Delagación Miguel Hidalgo

C.P. 11570 México DF

T (+52) 5555 454 543 | F (+52) 5552 509 190

info@palbit.com.mx | www.palbit.com.mx

